

For Students: Please listen to the teacher read the options for each picture before choosing your answer. Repeat your answer back to the teacher after the teacher has finished reading all options.

Part 2 – Describing Pictures

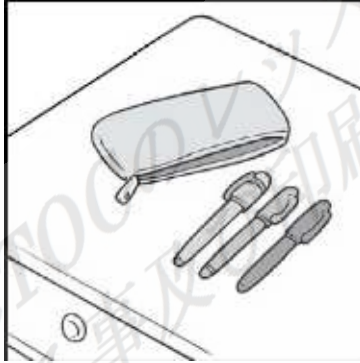


L5E 12-1

No. 16



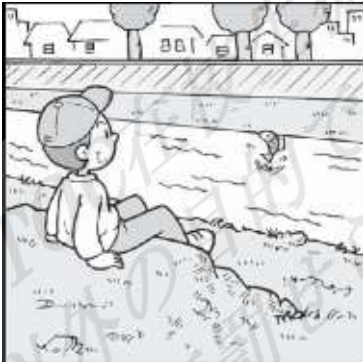
No. 17



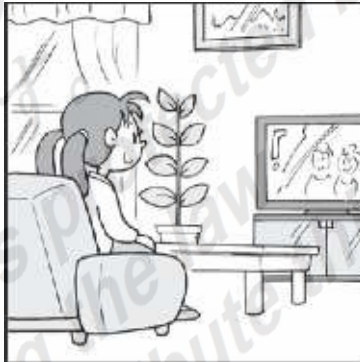
No. 18



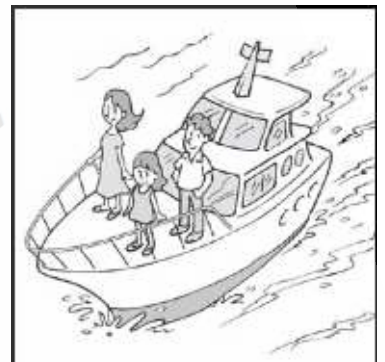
No. 19



No. 20



No.21



No. 22



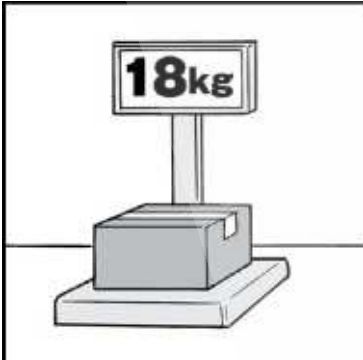
No. 23



No.24



No. 25



No. 16

- A) Karen has a spoon in her hand.
- B) Karen has a plate in her hand.
- C) Karen has a cup in her hand.

No. 17

- A) The pens are in the pencil case.
- B) The pens are on the pencil case.
- C) The pens are by the pencil case.

No. 18

- A) The students eat lunch at eleven every day.
- B) The students eat lunch at noon every day.
- C) The students eat lunch at one every day.

No. 19

- A) Simon often goes to the park.
- B) Simon often goes to the mountains.
- C) Simon often goes to the river.

No. 20

- A) Stacy is in the garden.
- B) Stacy is in the kitchen.
- C) Stacy is in the living room.

No. 21

- A) A family is on a plane.
- B) A family is on a boat.
- C) A family is on a subway.

No. 22

- A) May has new jeans.
- B) May has new boots.
- C) May has new glasses.

No. 23

- A) Today is Tuesday.
- B) Today is Thursday.
- C) Today is Saturday.

No. 24

- A) Becky likes running.

- B) Becky likes dancing.
- C) Becky likes reading.

No. 25

- A) The box is eight kilograms.
- B) The box is eighteen kilograms.
- C) The box is eighty kilograms.

eTOC在校生徒様がeTOCのレッスン
以外の目的で使用すること及び印刷禁止。
法律で罰せられます。
This document is protected by copyright.
You are breaking the law
if you copy or distribute this file.

